

Kalde
Fakta
Om
Fryse-
lagring

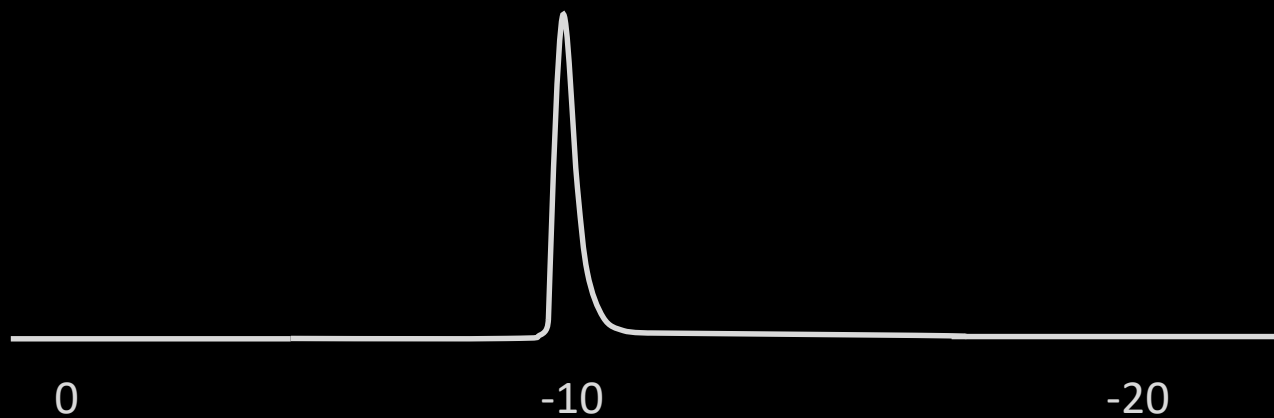
9. Januar
2019
20
Ålesund



Ombordfryst 2020

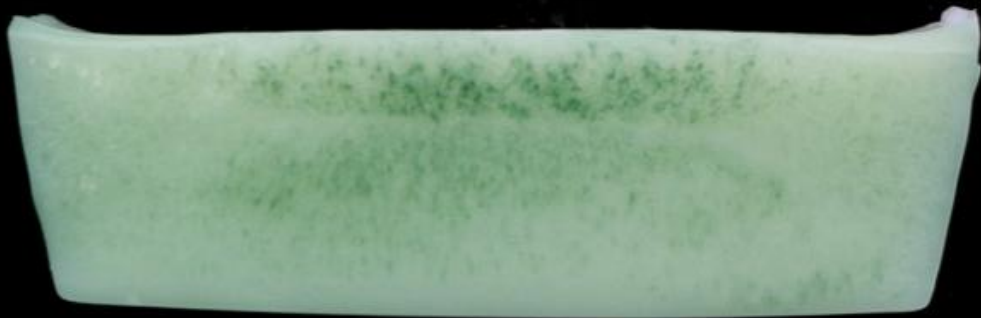


Energi overgang



Effekt av krystaller

Rask
Innfrysing

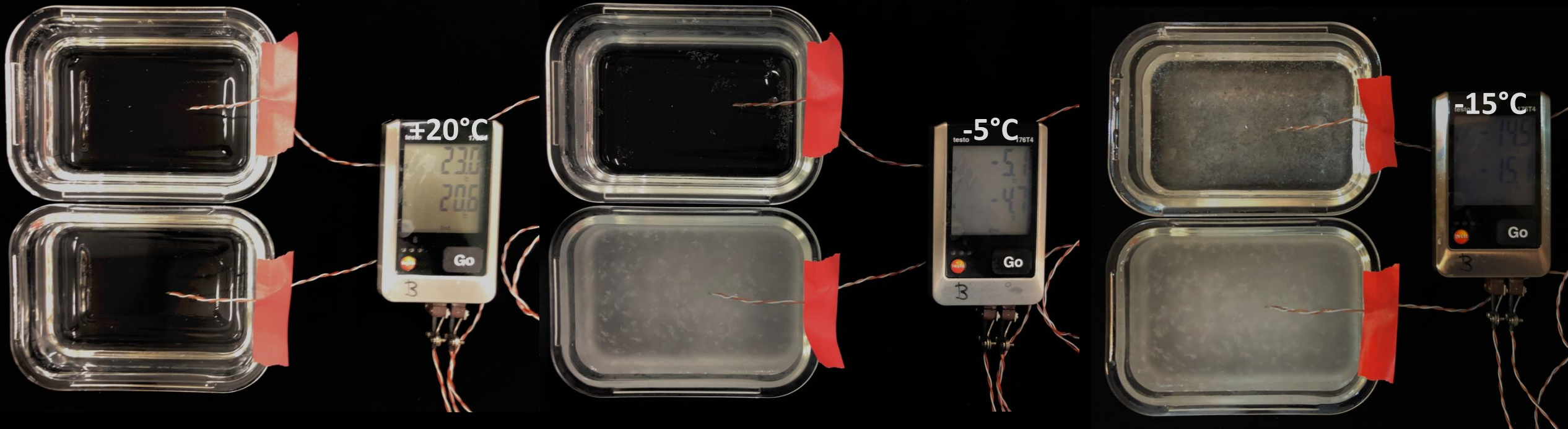


Sakte
Innfrysing



Frysing og salt

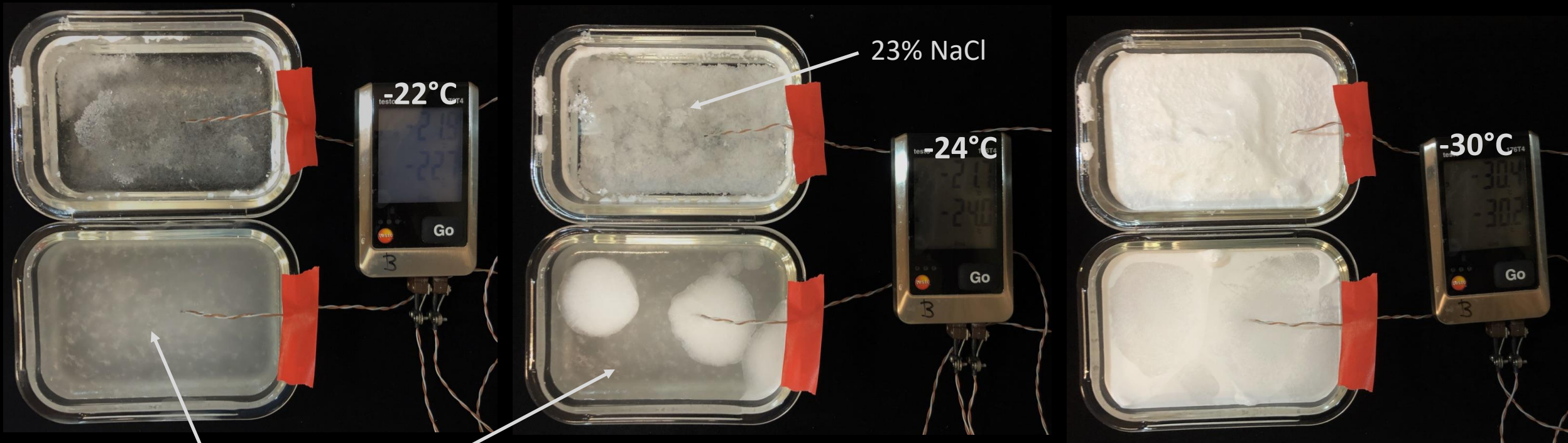
Mettet saltløsning (26% NaCl)



Fysiologisk saltløsning (1% NaCl)

Frysing og salt

Mettet saltløsning (26% NaCl)



23% NaCl

-24°C

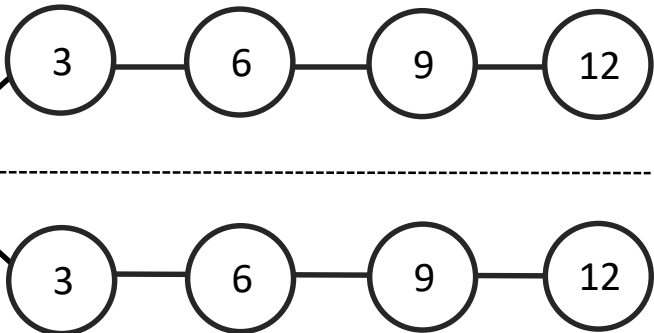
-30°C

Fysiologisk saltløsning (1% NaCl)

>20% NaCl



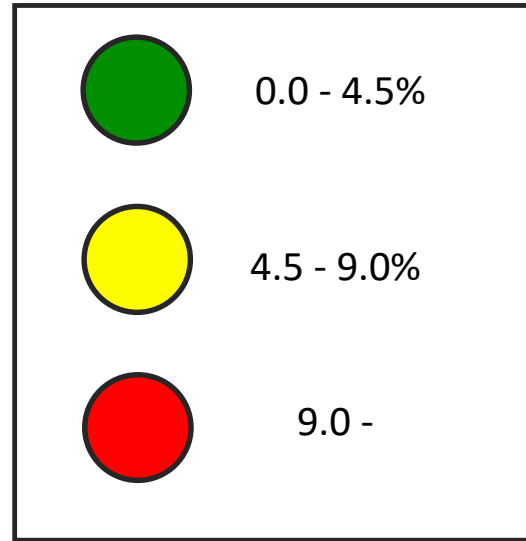
Sakte
frysing



-20 °C

-40 °C

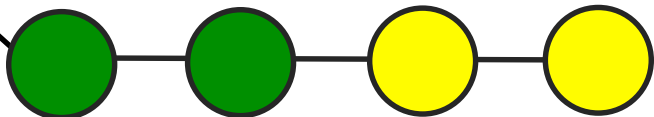
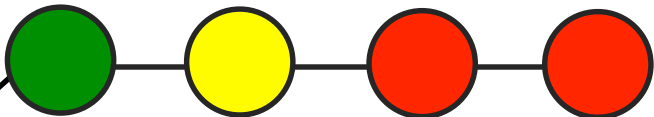
Tinetap





Sakte
frysing

-20 °C



-40 °C

Tinetap

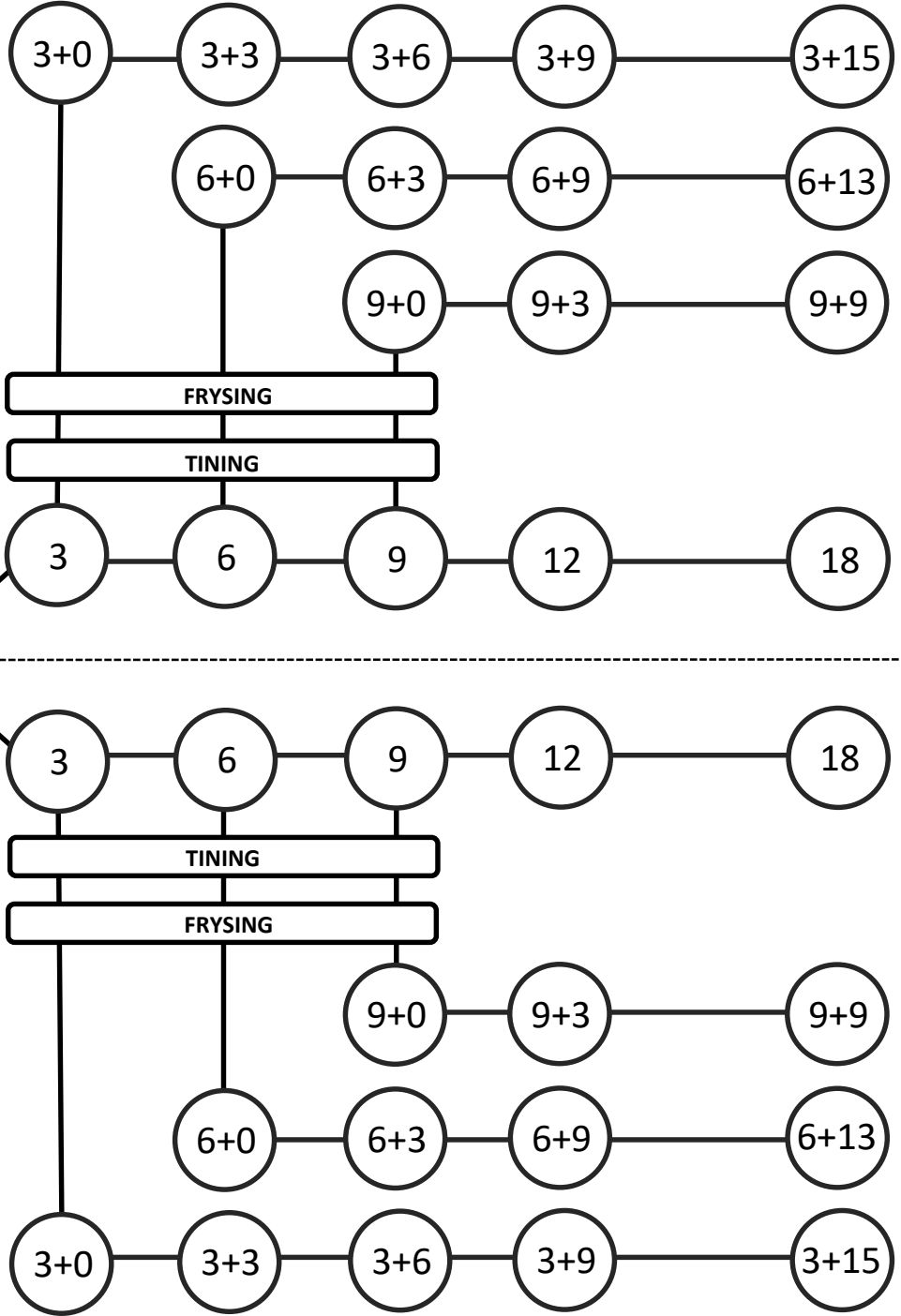




-20 °C

-40 °C

Rask
frysing

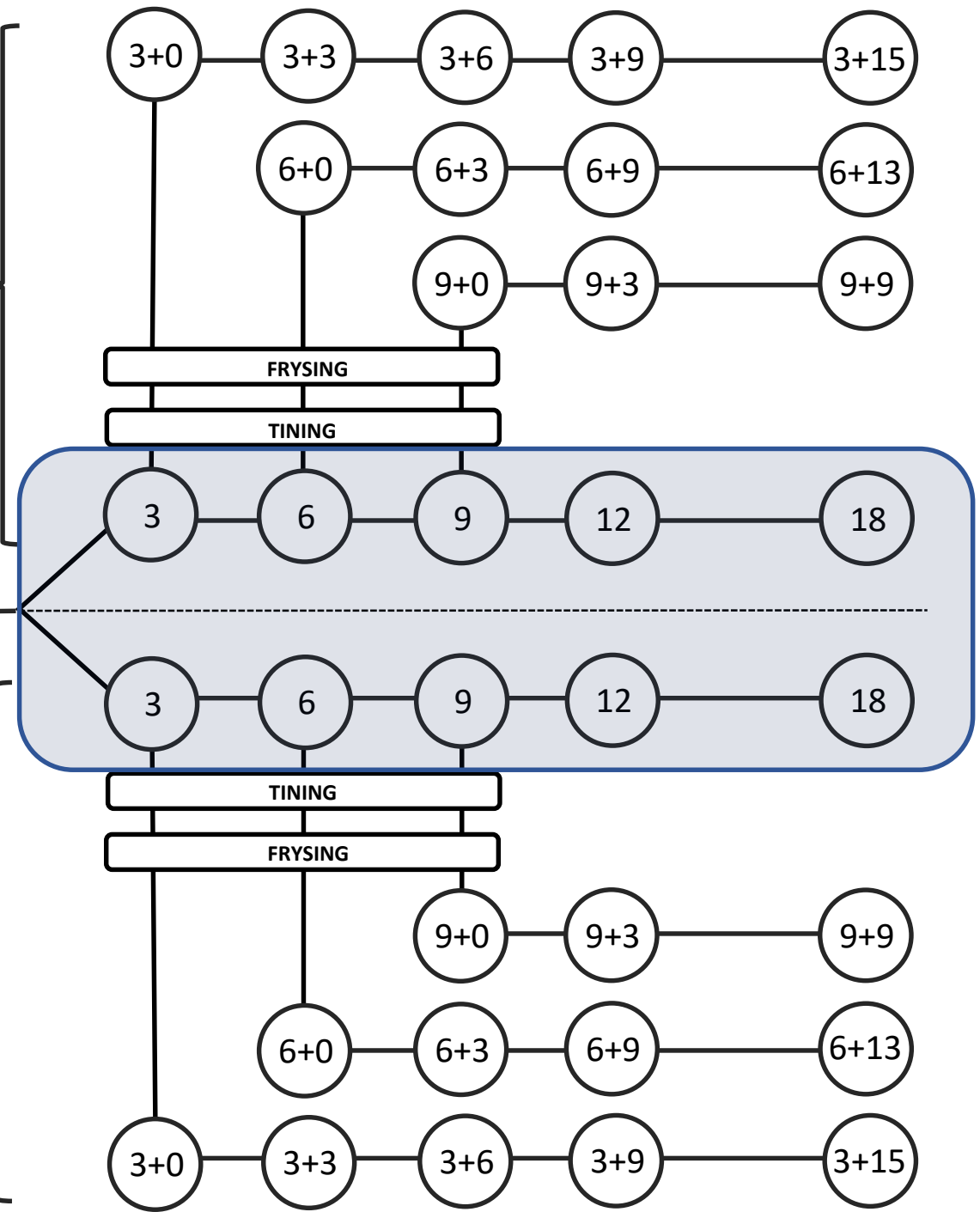




-20 °C

-40 °C

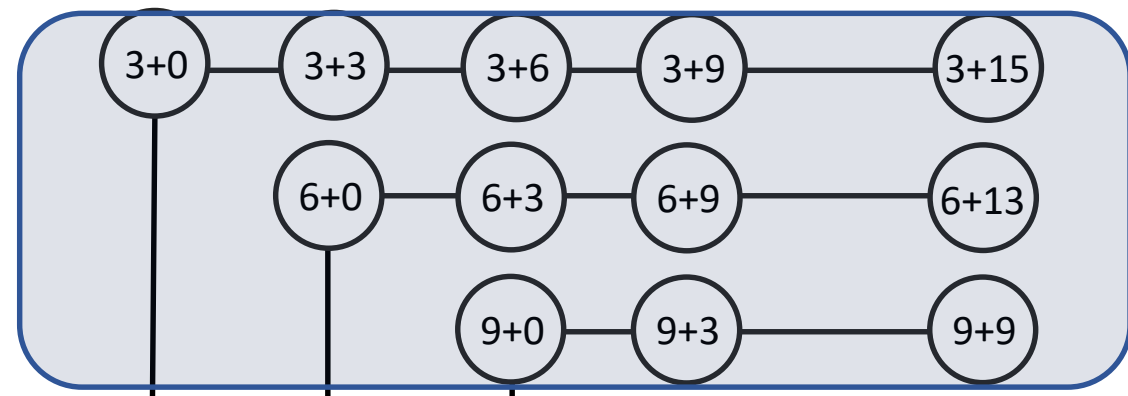
Rask
frysing





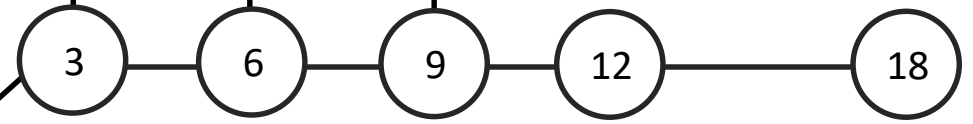
-20 °C

Rask
frysing

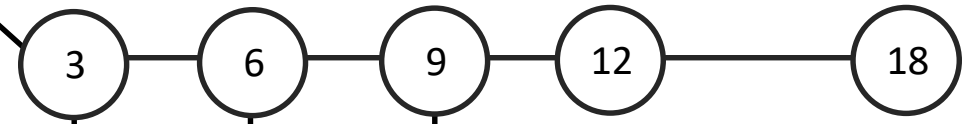


FRYSING

TINING

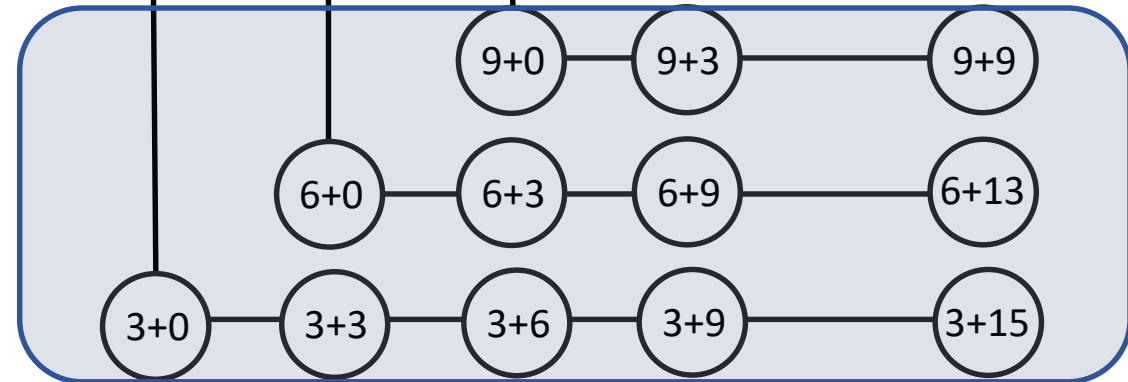


-40 °C



TINING

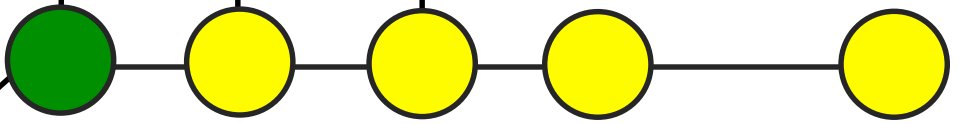
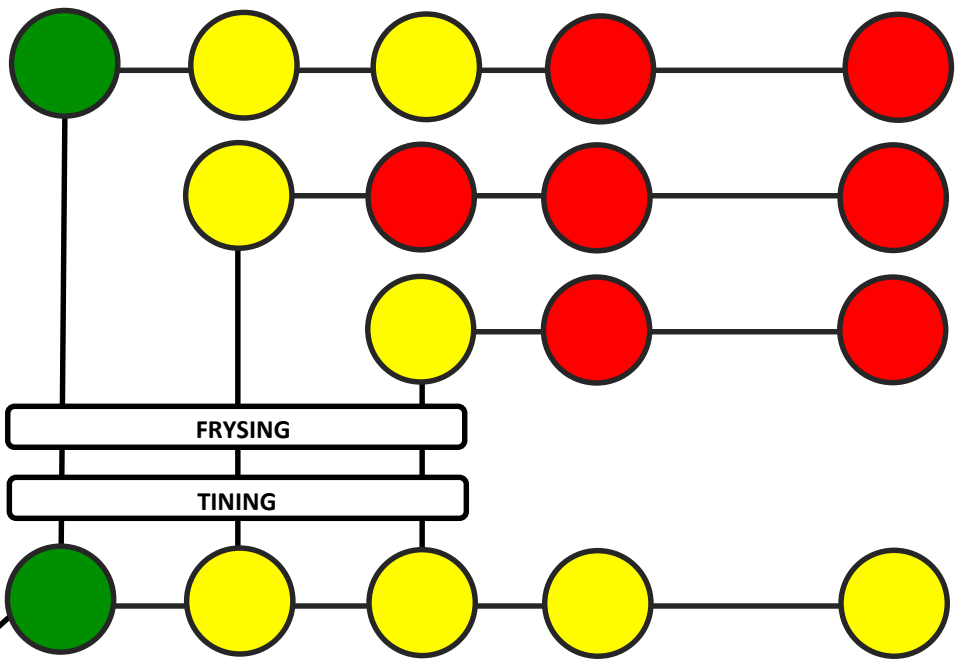
FRYSING



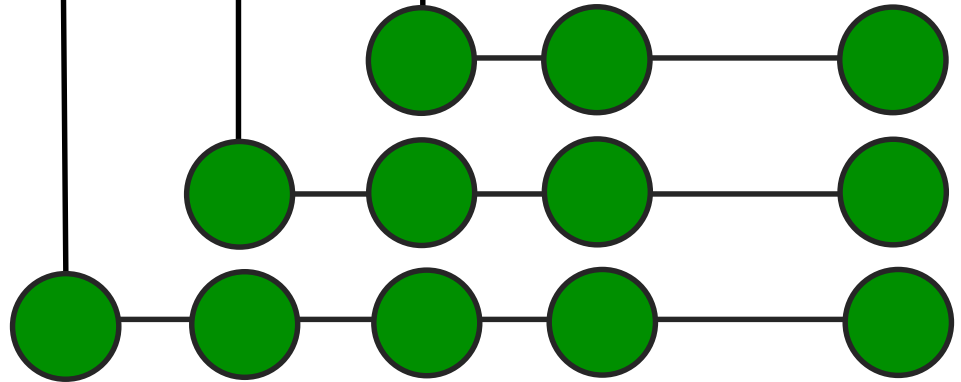
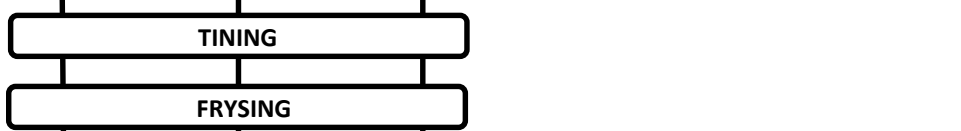
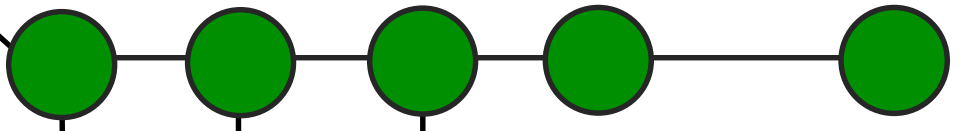


-20 °C

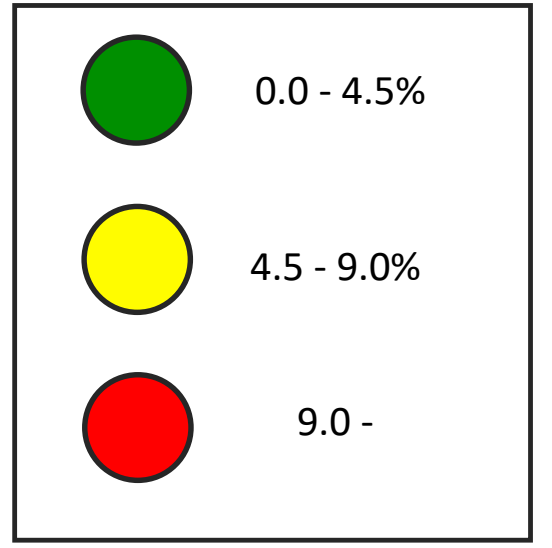
Rask
frysing

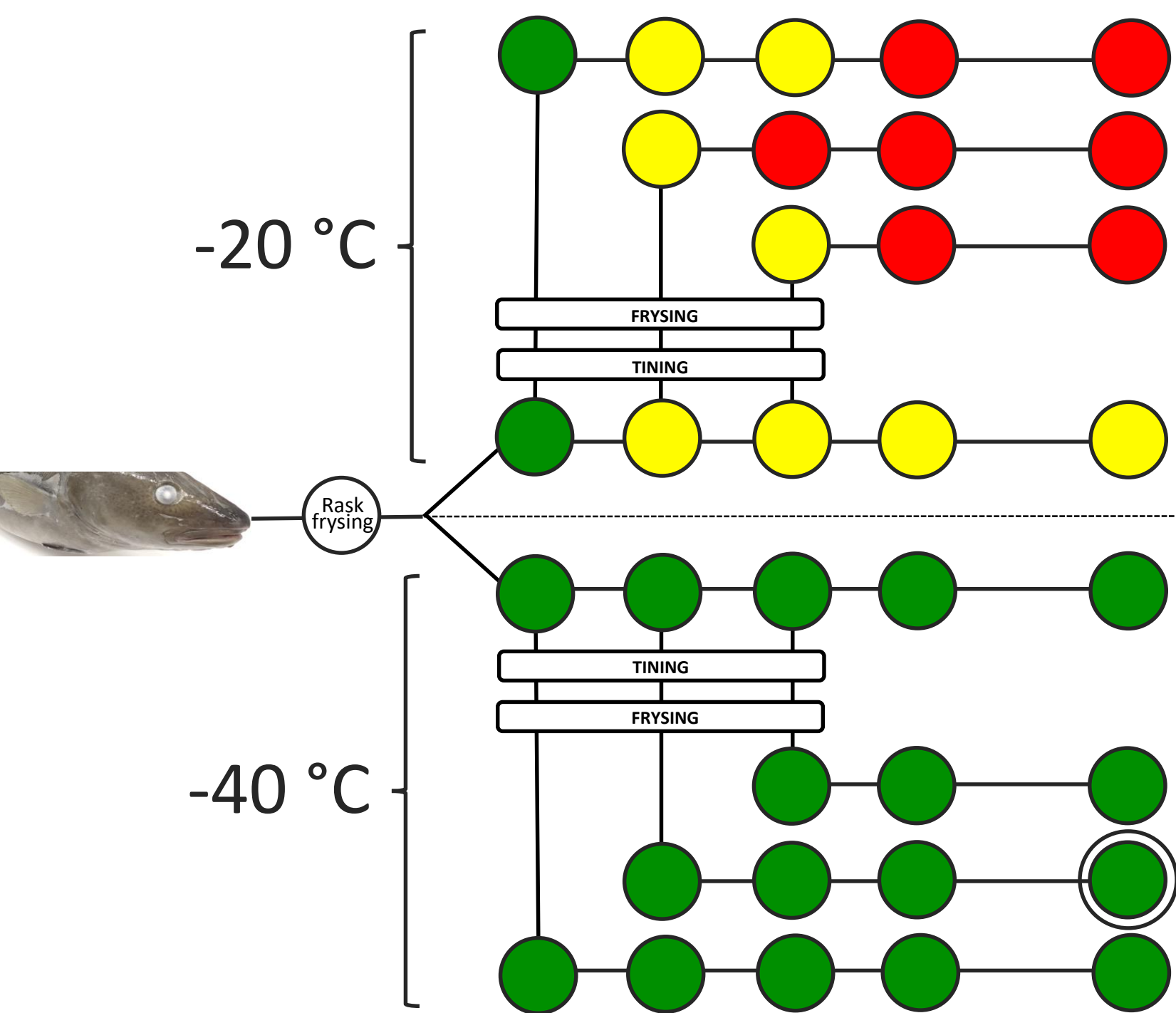


-40 °C



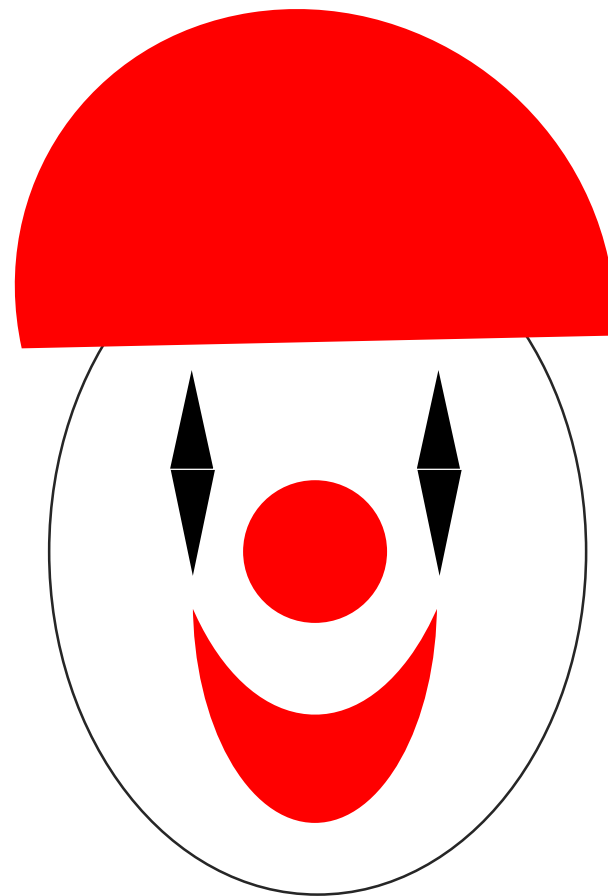
Tinetap





-18°C

=



-18°C = 0°F

Climate data for Gdańsk (1971–2000) [hide]													
Month	Jan	Feb	Mar	Apr	May	Jun	Jul	Aug	Sep	Oct	Nov	Dec	Year
Average high °C (°F)	1.4 (34.5)	2.1 (35.8)	5.5 (41.9)	10.1 (50.2)	15.6 (60.1)	19.0 (66.2)	21.0 (69.8)	21.3 (70.3)	16.9 (62.4)	12.0 (53.6)	6.0 (42.8)	2.9 (37.2)	11.2 (52.2)
Daily mean °C (°F)	−1.0 (30.2)	−0.5 (31.1)	2.5 (36.5)	6.4 (43.5)	11.5 (52.7)	15.0 (59.0)	17.2 (63.0)	17.2 (63.0)	13.3 (55.9)	8.9 (48.0)	3.8 (38.8)	0.7 (33.3)	8.0 (46.4)
Average low °C (°F)	−3.4 (25.9)	−3.0 (26.6)	−0.5 (31.1)	2.7 (36.9)	7.4 (45.3)	11.0 (51.8)	13.3 (55.9)	13.1 (55.6)	9.7 (49.5)	5.8 (42.4)	1.5 (34.7)	−1.6 (29.1)	4.7 (40.5)
Average precipitation mm (inches)	24.6 (0.97)	17.9 (0.70)	22.4 (0.88)	29.5 (1.16)	48.9 (1.93)	63.5 (2.50)	66.7 (2.63)	55.8 (2.20)	54.9 (2.16)	47.4 (1.87)	42.0 (1.65)	33.7 (1.33)	507.3 (19.97)
Average precipitation days	15	13	13	11	12	13	13	12	14	14	16	16	162
Mean monthly sunshine hours	39	70	134	163	244	259	236	225	174	105	45	32	1,726
Source: World Meteorological Organization ^[84]													

Takk for oppmerksomheten

